

RFID System - Data Carrier (Read/Write)

- Data Carrier (Read/Write)
- Memory Size 2 kByte
- FRAM



Housing	Part Number	Function Principle
<p> $\phi 1.969 [50.0]$ $.126 [3.2]$ </p>	TW-R50-K2	<p>The BL ident data carriers (TAGs) can be written and read without contact with appropriate read/write heads. The operating frequency is 13.56 MHz.</p> <p>The data carriers are passive, i.e. do not have a battery. When they enter the air interface of a read/write head, the power is transferred inductively and the data transfer initiated.</p> <p>The read/write interval varies between .315-5.079 in. (8-129 mm). TAGs available with EEPROM or FRAM memory.</p>

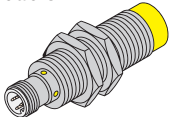
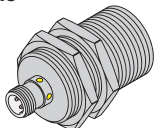
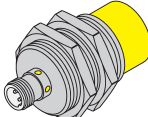
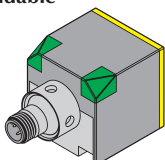
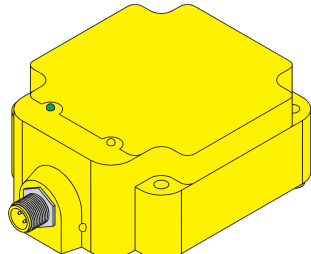
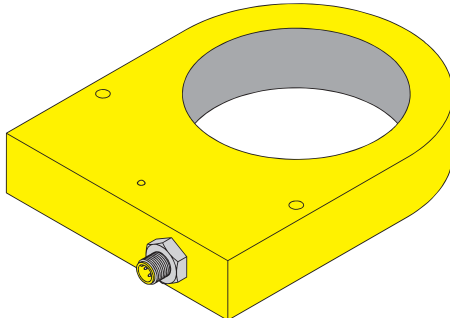
Part Number	TW-R50-K2
ID Number	M6900507

Storage Data	
Operating frequency	13.56 MHz
Memory size	2 kByte
Number of read operations	Unlimited
Number of write operations	10 ¹⁰
Read time (typical)	0.5 ms/Byte
Write time (typical)	0.5 ms/Byte
Memory organization	FRAM

Installation Guidelines	
Minimum distance between data carrier and metal surface (see accessories on page 26 for spacers)	.4 in (10 mm)

General Data	
Color	Black
Storage temperature	-40 to +85°C (-40 to +185°F)
Ambient temperature	-25 to +85°C (-13 to +185°F)
Degree of protection (IEC 60529/EN 60529)	IP 68
Housing material	PA6

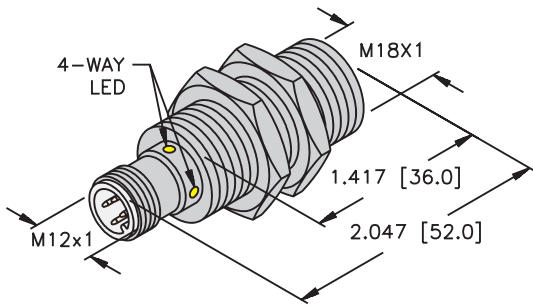
Associated Read/Write Heads

Housing	Part Number	ID Number	Read/Write Range			Zone Width		Distance
			Recomm. inches (mm)	min. inches (mm)	max. inches (mm)	min. inches (mm)	max. inches (mm)	minimum between two read/write heads ¹ inches (mm)
18 mm - Nonembeddable 	TN-M18-H1147	M7030002	.630 (16)	.315 (8)	1.260 (32)	.827 (21)	1.732 (44)	6.929 (176)
30 mm - Embeddable 	TB-M30-H1147	M7030003	.630 (16)	.472 (12)	1.260 (32)	.945 (24)	1.378 (35)	5.512 (140)
30 mm - Nonembeddable 	TN-M30-H1147	M7030004	.945 (24)	.472 (12)	1.890 (48)	1.772 (45)	2.205 (56)	8.819 (224)
40 mm - Nonembeddable 	TN-CK40-H1147	M7030006	1.417 (36)	.748 (19)	2.835 (72)	2.244 (57)	2.835 (72)	11.339 (288)
80 mm - Nonembeddable 	TN-Q80-H1147	M7030007	2.047 (52)	1.063 (27)	4.134 (105)	3.268 (83)	4.134 (105)	16.535 (420)
32 mm - Nonembeddable 	TN-S32XL-H1147	M7030008	2.520 (64)	1.181 (30)	5.079 (129)	4.370 (111)	5.433 (138)	21.732 (552)

¹ Smaller intervals are possible by alternating switching the read/write heads on and off with software.

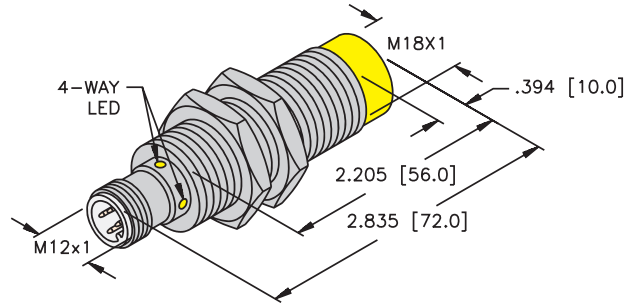
Dimensions

TB-M18-H1147



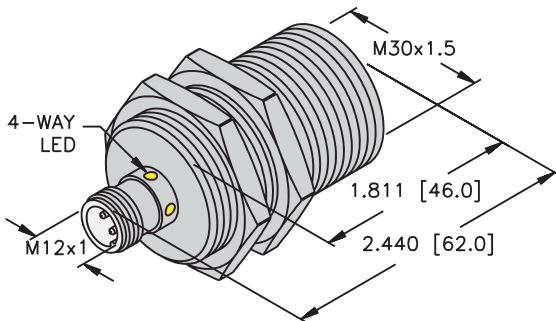
18 mm - Embeddable

TN-M18-H1147



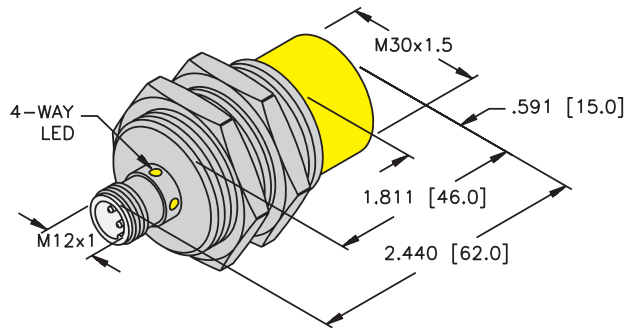
18 mm - Nonembeddable

TB-M30-H1147



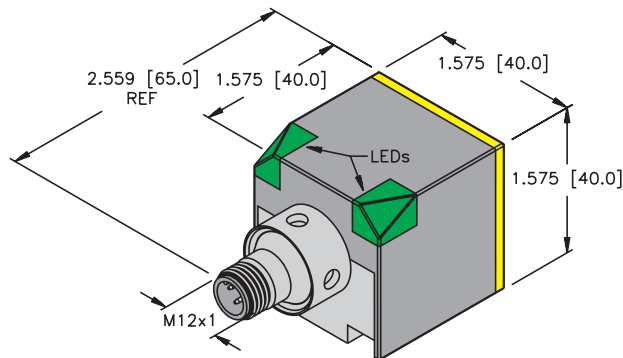
30 mm - Embeddable

TN-M30-H1147



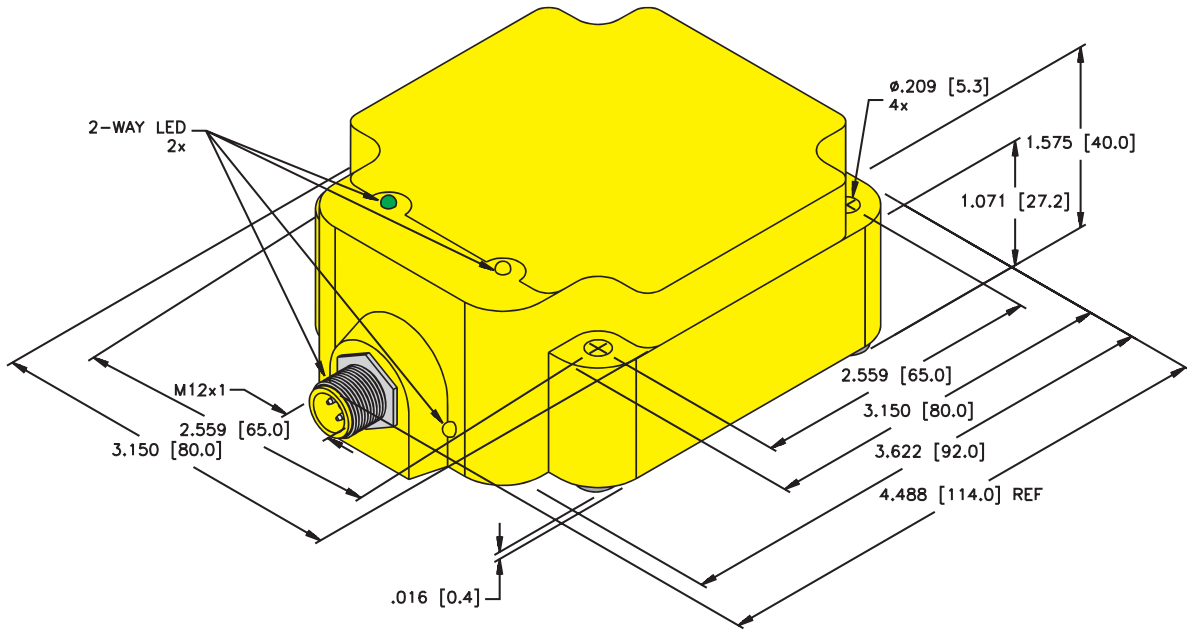
30 mm - Nonembeddable

TN-CK40-H1147



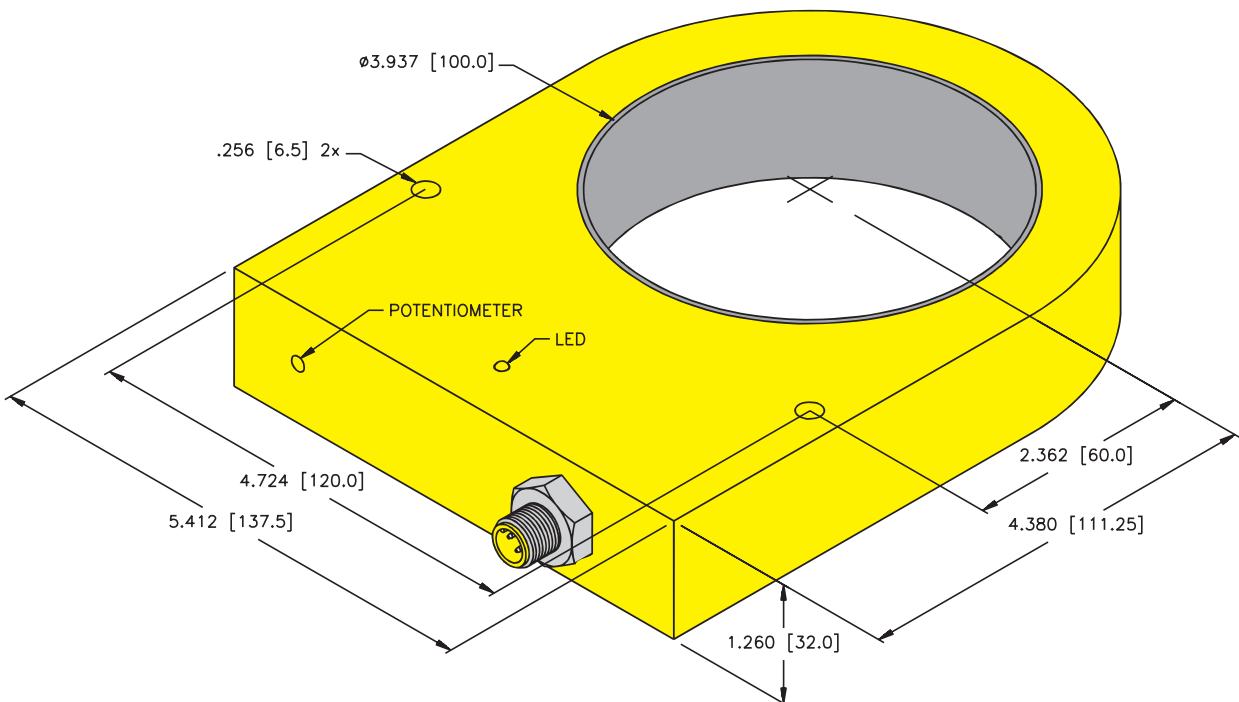
40 mm - Nonembeddable

TN-Q80-H1147



80 mm - Nonembeddable

TN-S32XL-H1147



32 mm - Nonembeddable